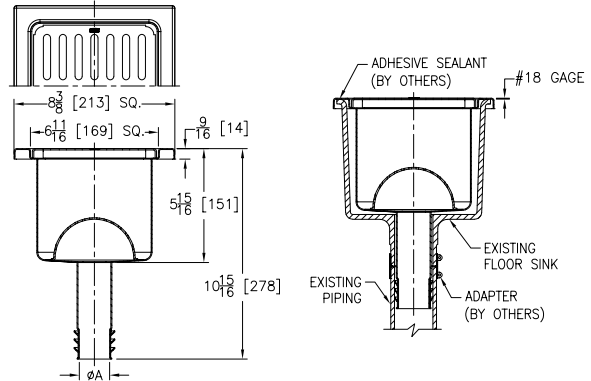


## 🕒 Z1900-RL 12" X 12" X 6" REPLACEMENT FLOOR SINK LINER



### ENGINEERING SPECIFICATION

Zurn Z1900-RL 12" x 12" x 6" deep replacement floor sink liner features 18 gage, all Type 304 (CF8) fabricated stainless steel, internal pipe gasket seal, light-duty, slotted, loose set grate, and perforated removable dome strainer.



Dimensions in inches [mm]	Approximate Weight lb [kg]	Grate Open Area sq in [cm <sup>2</sup> ]
A Pipe Size		
Gasket Seal		
2 [51], 3 [76], 4 [102]	6 [3]	21.1 [136]

PREFIXES	DESCRIPTION	A PIPE SIZE	LIST PRICE
Z1900*	All Type 304 (CF8) Fabricated Stainless Steel	2", 3" 4"	1,984.00
OUTLETS (SPECIFY PIPE SIZE IN INCHES AND TYPE OF OUTLET)			
OUTLET TYPE	PIPE SIZE/OUTLET TYPE		ADD
RL	Gasket Seal	RL2, RL3, RL4	N/C
SUFFIXES			
			ADD
-2	1/2 Grate		N/C
-3	3/4 Grate		N/C
-Y	Sediment Bucket		223.00
			DEDUCT
-1	Less Grate		- 150.00
BEST SELLERS			LIST PRICE
Z1900-RL2			1,984.00
Z1900-RL2-2			1,984.00
Z1900-RL3			1,984.00
Z1900-RL3-2			1,984.00
Z1900-RL4-2			1,984.00

Supplied By:



**877-903-7246**

[www.commercialplumbingsupply.com](http://www.commercialplumbingsupply.com)